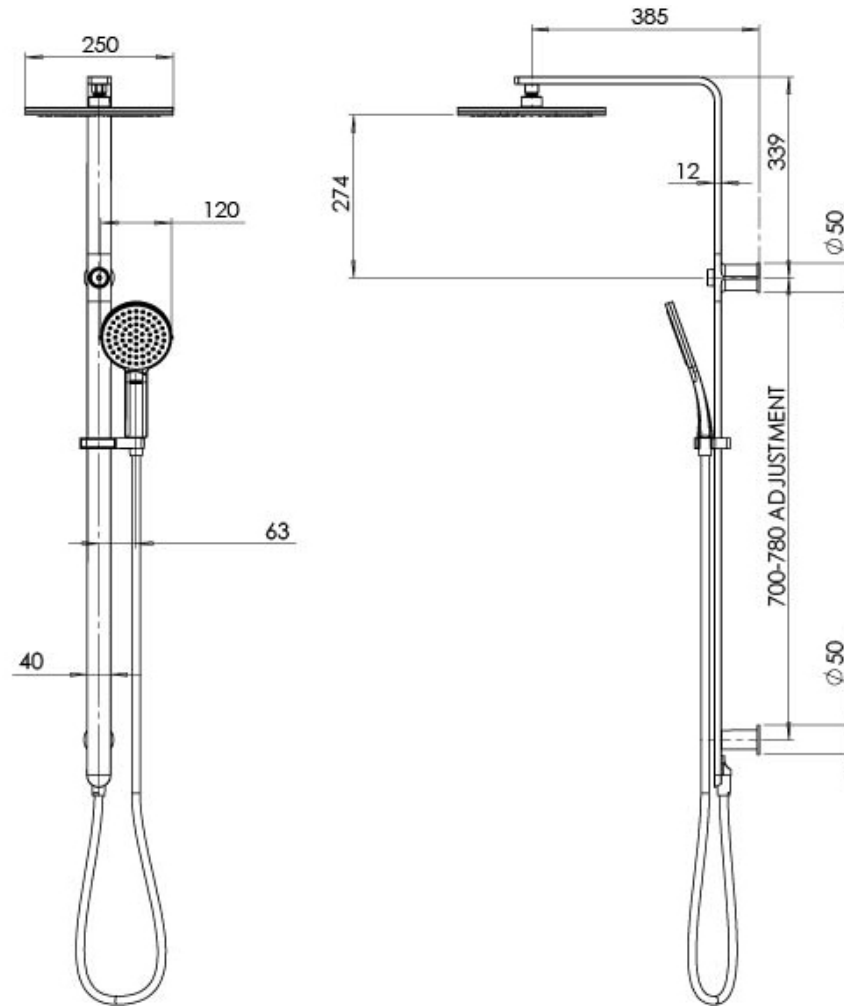


# NX QUIL

## NX QUIL TWIN SHOWER



## SPECIFICATIONS



### AVAILABLE IN



606-6500-00  
Chrome



606-6500-60  
Chrome /  
Matte Black



606-6500-40  
Brushed  
Nickel



606-6500-10  
Matte Black

### INFORMATION

Temperature Rating  
1 - 75°C

Pressure Rating  
150 - 500kPa



### MAINTENANCE AND CARE:

- All surfaces should be cleaned with mild liquid detergent or soap and water.
- Do not use cream cleaners or citrus based cleaning products, as they are abrasive.
- Use of unsuitable cleaning agents may damage the surface.
- Any damage caused in this way will not be covered by warranty.

Please visit <https://www.phoenixtapware.com.au/warranty> to view the full warranty