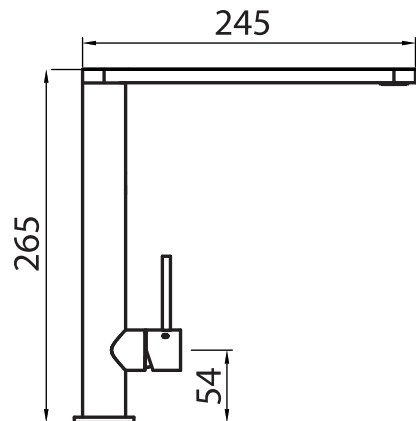


Oliveri®

Model: SS2540



FEATURES AND BENEFITS

- Stainless steel**
 Modern design and durable finish to suit all kitchens.
- WELS 4 star rating**
 4 Star water efficiency rating, 7.5L per minute.
- 10 year warranty**
 Covered by Oliveri's 10 year warranty (5 years parts & labour plus an additional 5 years parts only).
- Watermark**
 Oliveri mixers carry the Watermark logo, confirming they comply with New Zealand standards.

OTHER MODELS YOU MAY LIKE

SS2570



Stainless steel

SPECIFICATIONS

Description

Oliveri Essente stainless steel right angle mixer

Mixer Height

265 mm

WELS Rating

4 star water efficiency
7.5L per minute

Finish Stainless steel

Cartridge Size 25 mm

Cartridge Type Ceramic disc

EAN 9324974012151

Spout height 252 mm

Max. operating pressure 500 kpa

Carton Size 500 x 310 x 75 mm

Weight 2 kg

Warranty 10 Year Warranty: 5 years only (parts & labour) plus an additional 5 years on the Cartridge (parts only)
Refer to oliveri.co.nz for full warranty details



For more information call **0800 440 606** or visit **oliveri.co.nz**