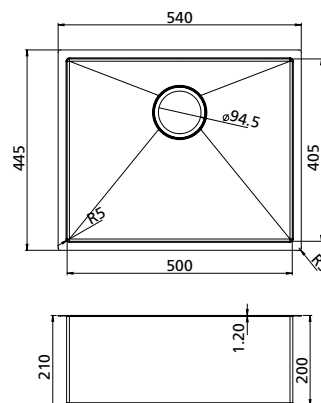


# Oliveri®

## Model: SB50SS



### FEATURES

#### 1.2mm brushed steel

Provides a low profile edge and creates a streamlined look that integrates with modern appliances.

#### Bowl protectors

The matching colour bowl protector creates a barrier to protect the unique bowl finish.

#### Rear waste outlets

The matching colour outlets allow maximum space in the cupboards below.

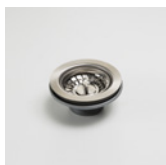
#### Softtone® and soundproofing

Ensures improved heat retention and a sound deadening finish.

#### Easy clean corners

Softly squared 5mm radius corners are hygienic and easy to clean.

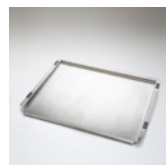
### INCLUDED ACCESSORIES



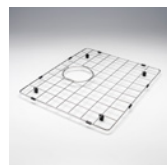
**AC14**  
Basket waste



**ACP104F**  
Bamboo board



**ACP109** Stainless  
Bench top drainer tray



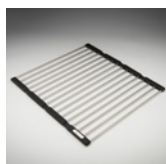
**ACBP55-1** Stainless  
Bowl protector

### RECOMMENDED TAPWARE

### MATCHING ACCESSORIES



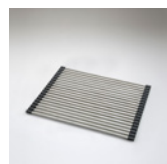
**SP28B**  
Basket waste plug



**ACP105**  
Foldamate



**ACP136**  
Colander



**ACP106**  
Kitchenmate



**ACP31**  
Drainer basket



**VT0398B**  
WELS 4 star  
6.5 L per min

**SS2570**  
\*WELS 4 star  
7.5L per min

### SPECIFICATIONS

#### Description

Single bowl stainless sink

#### Sink Size

540W x 445H

#### Large Bowl

500W x 405H x 200D / 40L

#### Construction

Fabricated with 5mm radius corners, Softtone® and soundproofing

#### Material

304 grade, 18/10 brushed stainless steel (1.2mm thick)

#### Installation

Topmount, undermount or flushmount

#### EAN

9324974012069

#### Fixings

Topmount clips supplied only

#### Cut out template

Refer to [oliveri.co.nz](http://oliveri.co.nz)

#### Min cabinet size

600mm

#### Tap holes

N/A

#### Waste fittings

1 x 90mm basket waste included

#### Overflow

Not available

#### Carton size

640 x 540 x 330 mm

#### Weight

15.0 kg

#### Warranty

Lifetime manufacturer's warranty (refer to [oliveri.co.nz](http://oliveri.co.nz))



For more information call **0800 440 606** or visit **[oliveri.co.nz](http://oliveri.co.nz)**