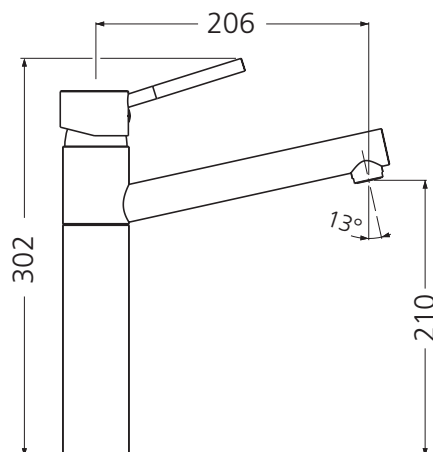


# Oliveri®

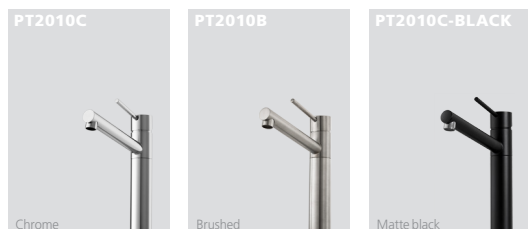
## Model: PT2010



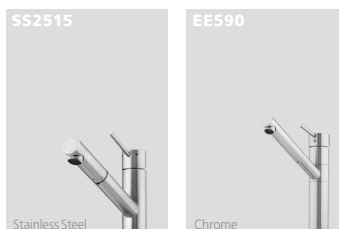
### FEATURES AND BENEFITS

- **WELS 4 star rating**  
4 Star water efficiency rating, 7.5L per minute.
- **Made in Italy**  
Made in Italy for premium quality and reliability.
- **Range of finishes**  
Chrome, brushed or matte black finishes are available to match your kitchen.
- **15 year warranty**  
Covered by Oliveri's 15 year warranty (10 years parts & labour plus an additional 5 years parts only).
- **Watermark**  
Oliveri mixers carry the Watermark logo, confirming they comply with New Zealand standards.

### FINISHES



### OTHER MODELS YOU MAY LIKE



### SPECIFICATIONS

#### Description

Oliveri Pepe swivel mixer

#### Mixer Height

302 mm

#### WELS Rating

4 star water efficiency  
7.5L per minute

<b>Finish</b>	Chrome (PT2010C), brushed (PT2010B), or matte black (PT2010C-BLACK)
<b>Cartridge Size</b>	35 mm
<b>Cartridge Type</b>	Ceramic disc
<b>EAN</b>	Chrome: 9324974007959 Brushed: 9324974007966 Matte black: 9324974009915
<b>Spout height</b>	210mm
<b>Max. operating pressure</b>	600kpa
<b>Origin</b>	Made in Italy
<b>Carton Size</b>	370 x 270 x 60 mm
<b>Weight</b>	2.0 kg
<b>Warranty</b>	15 Year Warranty: 10 years only (parts & labour) plus an additional 5 years on the Cartridge (parts only) Refer to <a href="http://oliveri.co.nz">oliveri.co.nz</a> for full warranty details



For more information call **0800 440 606** or visit **[oliveri.co.nz](http://oliveri.co.nz)**