

## Burns and Ferrall Locations

**AUCKLAND**  
477 Great South Rd  
Penrose

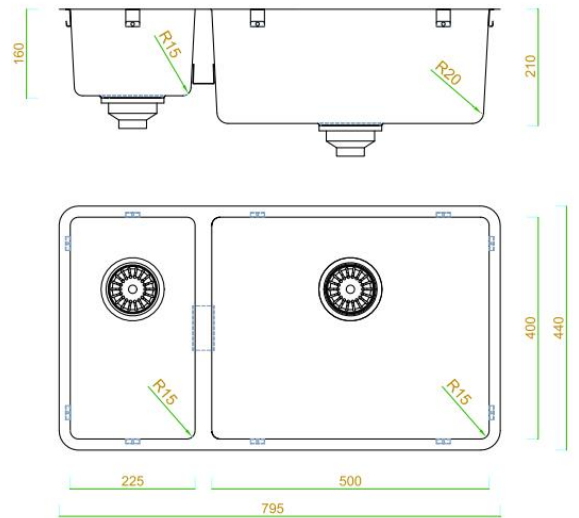
0800 697 465

**WELLINGTON**  
122-124 Tory Street  
Te Aro

**HAMILTON**  
60 Alexandra Street  
Central

**CHRISTCHURCH**  
345 St Asaph Street  
Christchurch

## Product Specification Sheet BFD795R15RH



### Designer R15

B&F Designer R15 500/225 Double Bowl

<b>Models</b>	<b>Corner Radius</b>
14 BFD795R15LH 14 BFD795R15RH	15mm
<b>Overall Dimensions W x D</b>	<b>Waste</b>
795 x 440mm	90mm
<b>Bowl Dimensions W x D x H</b>	<b>Installation</b>
500 x 400 x 210mm	Top / Flush / Undermount
<b>2nd Bowl Dimensions: W x D x H</b>	<b>Minimum Cabinet Size</b>
225 x 400 x 160mm	875mm

### Material & Finish

1.0mm 304 Stainless Steel, Satin

### Accessories Available (optional)



E&OE – it is recommended all measurements are taken directly from the product. Specification subject to change without notice, always consult the literature supplied with the product. Coloured images are indicative only.