

ELEVATE

Elevate Care and Commercial Range is all about making sure thoughtful products are available for use by the most vulnerable of our consumers. Elevate is a well-balanced, practical collection perfect for all project types.

SQUARE Undermount Basin

550mm W x 340mm D

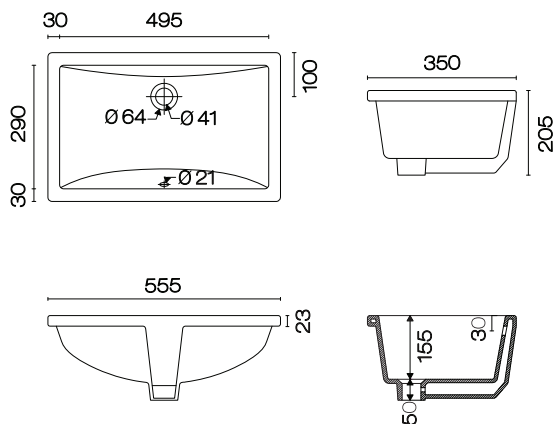
(7) 726211



FEATURES AND BENEFITS

- Vitreous china
- Mounting options: undermount
- 5 year warranty

SPECIFICATIONS



Tapware and accessories not included. Includes overflow.