

## ELEVATE

Elevate Care and Commercial Range is all about making sure thoughtful products are available for use by the most vulnerable of our consumers. Elevate is a well-balanced, practical collection perfect for all project types.

### ROUND Wall Basin & Shroud 1TH

460mm W x 340mm D

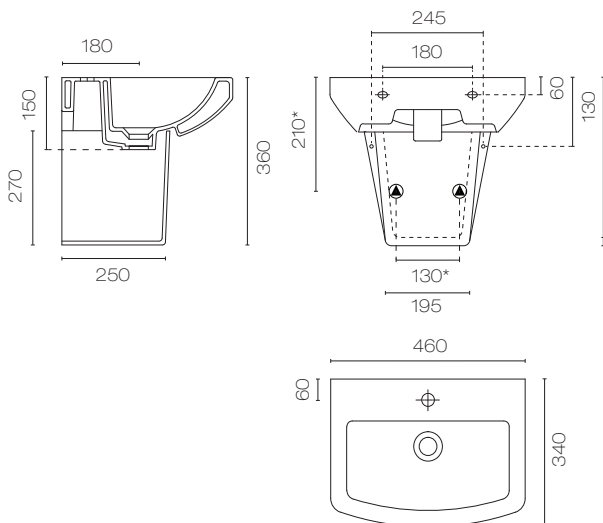
(7) 726206



#### FEATURES AND BENEFITS

- Vitreous china
- Mounting options: wall hung with shroud
- Complies with NZS 4121:2001 for accessible bathrooms
- 5 year warranty
- Fully glazed on underside of basin

#### SPECIFICATIONS



Tapware and accessories not included. Includes overflow.