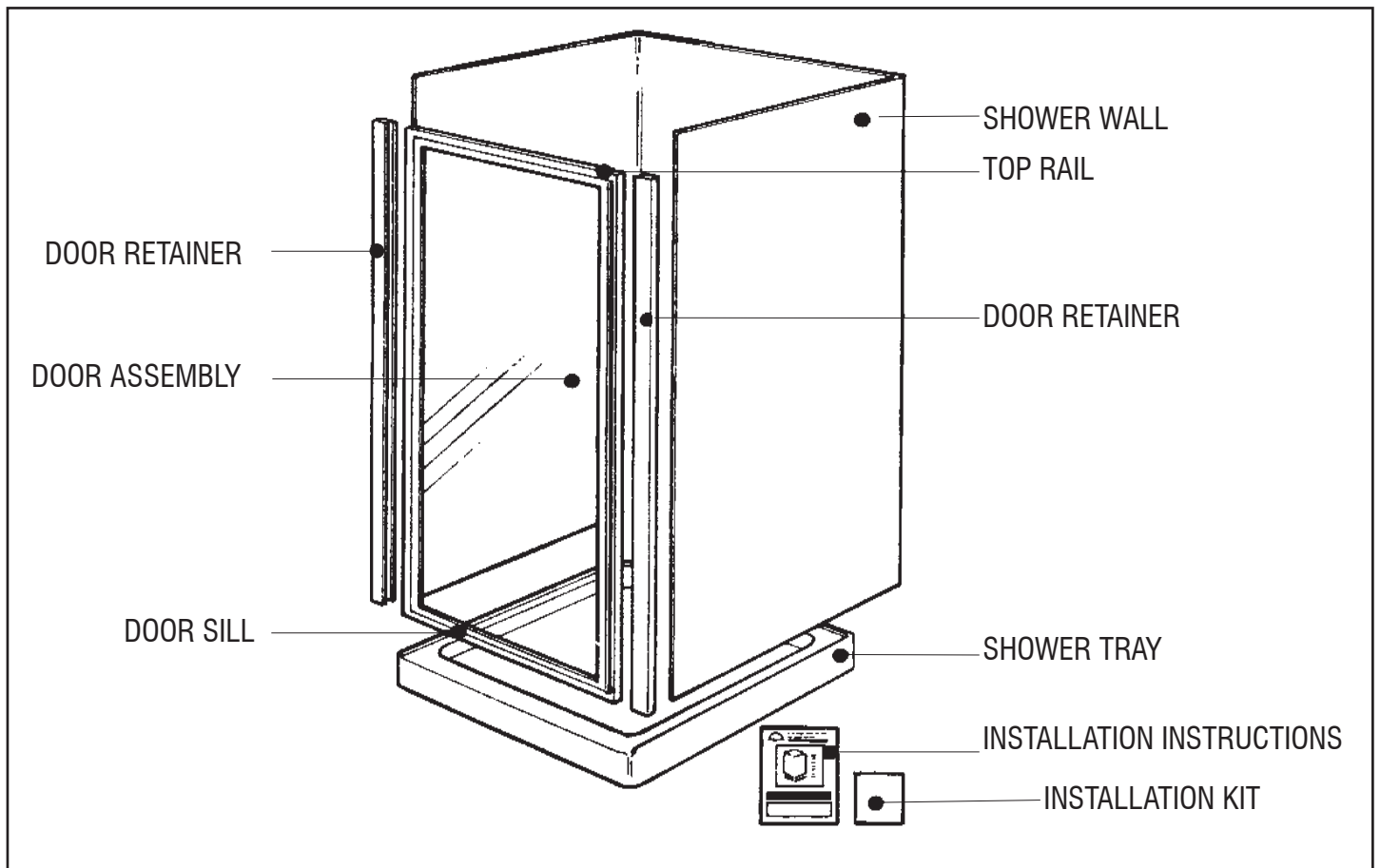




SAPPHIRE ALCOVE SHOWER

INSTALLATION GUIDE

IMPORTANT READ ALL INSTRUCTIONS CAREFULLY BEFORE STARTING THE INSTALLATION



- Suitable for installation with Duracryl Wall lining.

Sealant required to complete this installation.

Sika Silaflex NG

- To seal the WHITE shower door and returns to the shower tray.

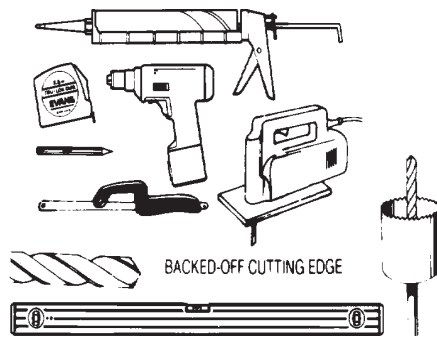
Usage:

- 1 cartridge per shower



TOOLS REQUIRED

- Tape Measure
- Soft pencil
- Drill
- Caulking gun
- Hole saw
- Drill bit 2.5 mm
- Fine toothed saw
- Spirit level
- Jig saw (fine toothed blade)
- Box cutter



DRILLING AND CUTTING DURACRYL®

DRILLING: Small holes can be drilled with a twist drill, but the cutting edge **MUST** be backed off with an oil stone (the sharp edge dulled). Large holes must be drilled with a hole saw.

Maximum drill size: 12 mm. Drill speeds:- 6 mm x 1800 RPM
- 12 mm x 900 RPM

CUTTING: If for any reason the acrylic requires cutting, use a fine tooth hacksaw and proceed with caution. Edges can be smoothed with a second-cut file and medium-fine sandpaper. If the surface of the acrylic should happen to be damaged, it can be restored by polishing with an abrasive cleaner such as Meguiars Mirror glaze 28 all metal polish or 3M marine "one step" painted aluminium cleaner and wax.

DOOR AND RETURN INSTALLATION

PART ONE

Ensure that the shower tray and wall are installed according to the instructions supplied.

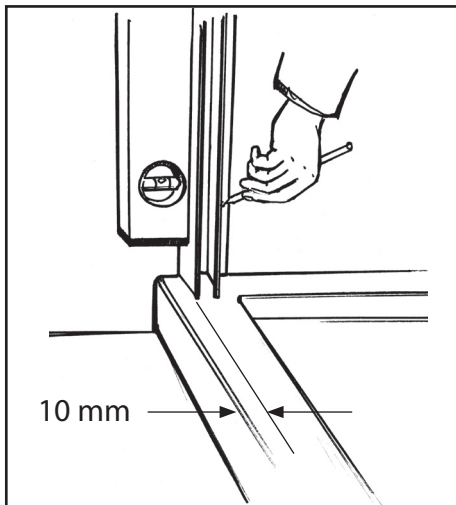
1. Select preferred shower door opening. It is recommended to start the installation from the hinge side of the door.

Position the door wall Retainer Profile against shower wall, resting on the shower base sill with fixing holes facing towards the inside of shower.

The Profile should be located 10mm from the front of the shower base.

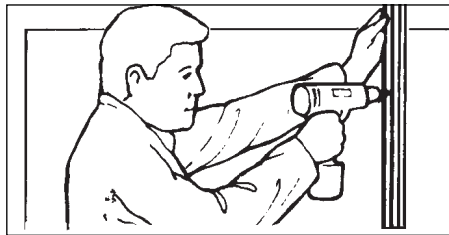
Check vertical with spirit level and mark fixing holes.

ENSURE WALL RETAINER PROFILE IS PLUMB.



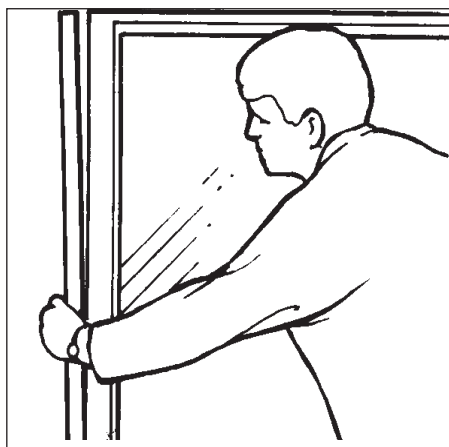
CAUTION: BEFORE DRILLING HOLES, ENSURE THERE ARE NO ELECTRICAL CABLES OR WATER PIPES BEHIND WALLS.

CAUTION: We recommend fixing the wall retainers by screwing through the backing board and into studs. Other methods may cause warping and may void warranty.

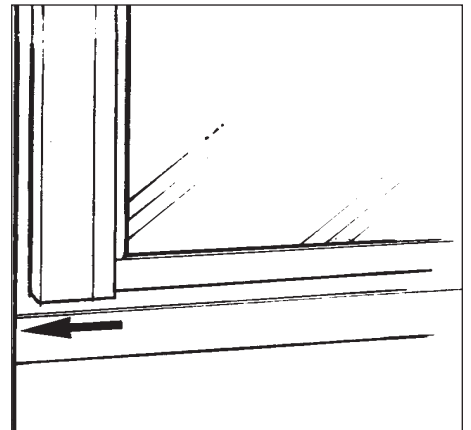


2. Fix wall retainer in place using long screws supplied. Ensure the screws go into studs.

3. Attach second wall retainer to Door Assembly. Lift Door Assembly with wall retainer into position and fit into fixed wall retainer.



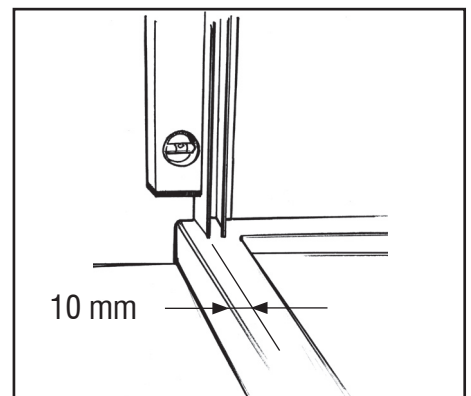
4. Slide Wall Retainer Profile into position and fix to Wall.



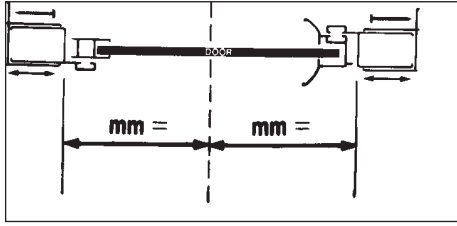
Locate the profile 10mm from the front of the shower base.

Check vertical with spirit level and fix retainer to the wall using the remaining long screws. Ensure the screws go into the stud.

Fit all 6 screw caps.

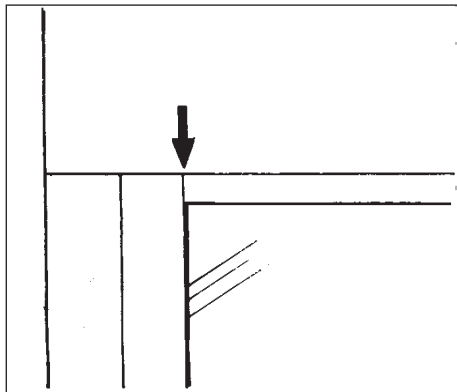


5. Centralise Door Assembly between Wall Retainer Profiles.

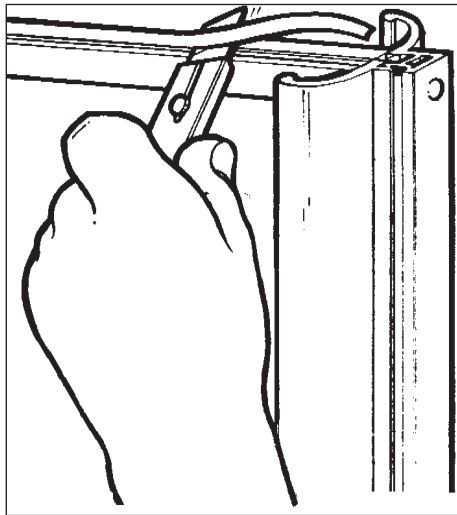


6. Check that the Door Assembly and the Wall Retainer Profile top edges are level.

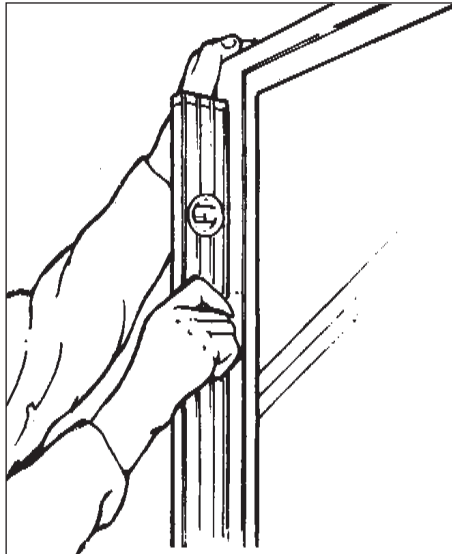
NOTE: DOOR ASSEMBLY MUST BE PLUMB USING A SPIRIT LEVEL.



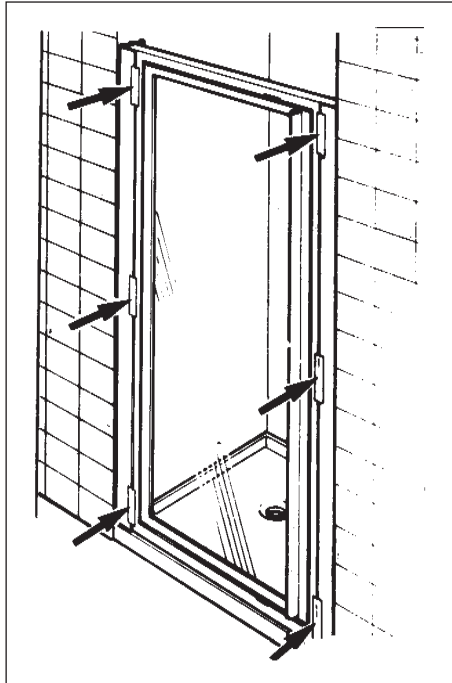
7. Using a sharp knife, trim top seal off door as shown.



8. Using a spirit level plumb door assembly.



Tape into position as indicated.



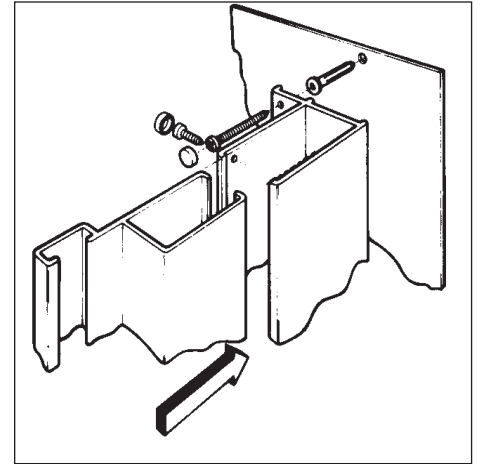
NOTE: This is an important part of the installation procedure and your careful attention at this stage will ensure that you will obtain the best possible results.

IMPORTANT
TEST THE OPENING AND CLOSING
OPERATION OF THE PIVOT DOOR

DO NOT PROCEED TO STEP 9 UNTIL DOOR IS OPERATING CORRECTLY.

If door alignment is incorrect, door will not function properly and further adjustments are necessary. Remove tape and re-align until correct alignment is achieved.

9. Drill holes (with 2.5 mm drill bit, DO NOT USE BIGGER DRILL BIT) at top and bottom of each wall retainer to secure door. Locate the holes in the "V" groove 7 mm from each end of the wall retainers. Fix screws as illustrated. Fit caps and remove positioning tape.



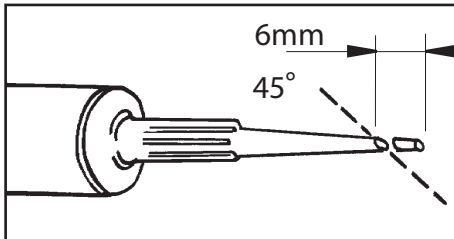
PART TWO

SEALANT APPLICATION

Ensure all joints are clean and dry before applying sealant.

1a. SEALANT APPLICATION STEPS

Cut tip of silicone tube nozzle at 45° angle.



b. Hold the tube at 45° angle and push forward as sealant fills the joint.

c. The surface of the sealant can be smoothed (before surface dries) by using a finger dipped in a small quantity of water with one drop of washing liquid added.

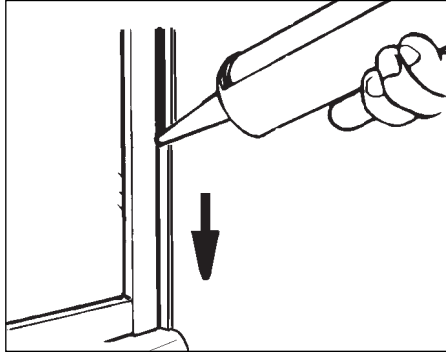
d. Excess sealant should be removed immediately with a damp cloth.

CAUTION: Avoid contact with skin, eyes and mouth and avoid breathing vapour. If in eyes, immediately flush with water. If irritation persists, seek medical attention.

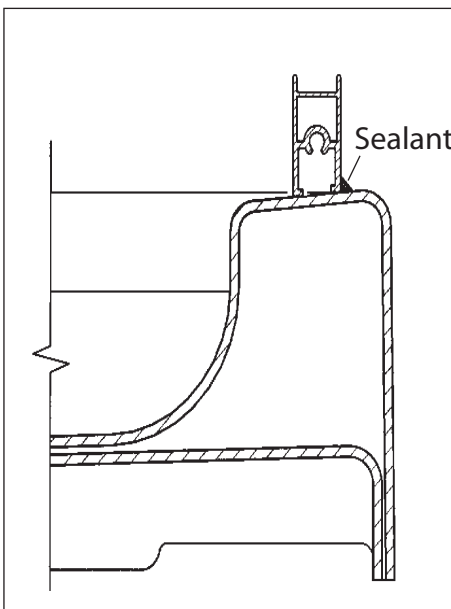
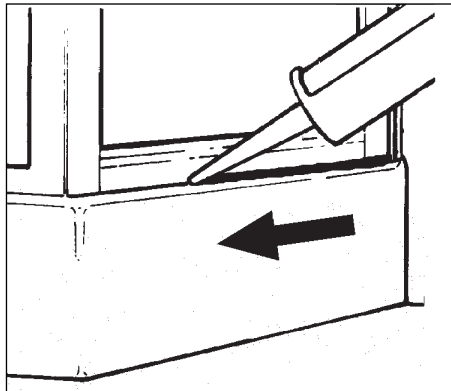
Keep out of reach of children.

IMPORTANT
SILAFLEX NG SEALANT SHOULD BE APPLIED TO ALL OUTSIDE JOINTS. DO NOT SEAL FROM INSIDE.

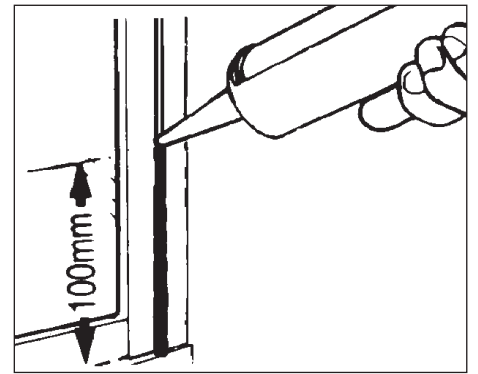
2a. Seal full height the joint between the Walls and the Wall Retainers.



b. Seal joint between the Door Sill, the Return Panel and the Shower tray.



c. Using a fine bead of sealant, seal joint between Wall Retainer Profile and Door Assembly to a height of approx. 100 mm.



IMPORTANT
ALLOW 24 HOURS FOR SEALANT AND ADHESIVE TO CURE BEFORE USING THE SHOWER.

CALL US FOR HELP

NEW ZEALAND

KOHLER NZ Ltd.

133 Diana Drive,
Glenfield,
Auckland.

Ph (09) 980 6800

Fax (09) 980 6899

info@kohler.co.nz

www.kohler.co.nz

AUSTRALIA

KOHLER Co.

Unit 10, 70-99 St. Hilliers Road,
Auburn,
Sydney. NSW 2144.

Ph (02) 9714 3900

Fax (02) 9714 3966

info@kohler.com.au

www.kohler.co.nz